



DOMINATOR*PLUS*

E3407 Bain Marie

Key features

- 1/1 gastronorm compatible
 - Ability to choose your own configuration
- Manual fill well
 - Easy install as no water supply required
- Drain valve located at front of the unit
 - Simple to drain water from well
- Temperature range of 70-90°C
 - Perfect for holding food at serving temperatures
- Accommodates containers of up to 150mm deep
 - Allows a wide variety, and quantity of food to be held
- Laser-etched control icons
 - Permanent, indelible markings

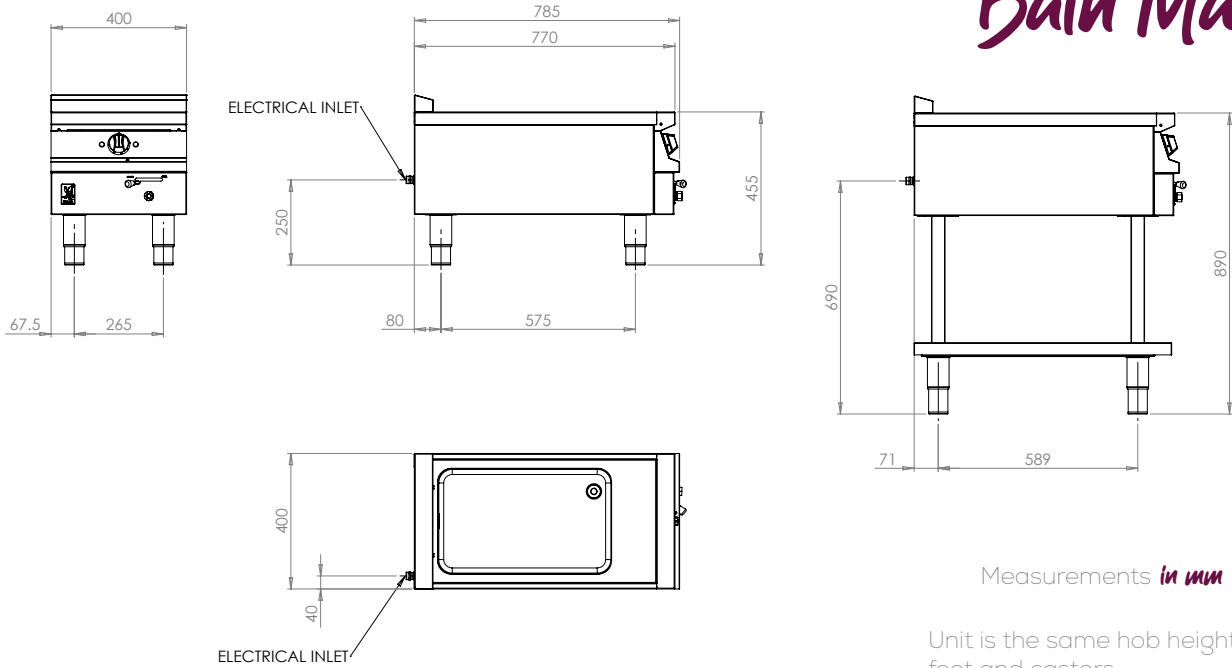
Accessories

- Fixed stand
- Factory fitted, adjustable castors
- Fixed installation kit



Similar Models

- E9641 bain marie



Measurements *in mm*

Unit is the same hob height on feet and castors

Specification *details*

Electrical rating (kW)	1.5
Electrical supply voltage	230V
Required electrical supply (A)	13
Electrical current split (A)	L1: 6.5
Element rating (kW)	1.5
Capacity (litres)	19
Weight (kg)	26
Weight on stand (kg)	39
Packed weight (kg)	34
Packed dimensions (w x d x h - mm)	450 x 1000 x 650
GTIN number	5056466900601

Installation notes

Adequate ventilation must be provided to supply sufficient fresh air and to allow easy removal of any such products that may present a risk to health. Please consult current legislation for details that relate to specific locations.

Install unit on a level, fireproof surface in a well-lit position. A clearance of 150mm should be observed between appliance and any combustible wall. Please consult the appliance installation manual for further details.

